

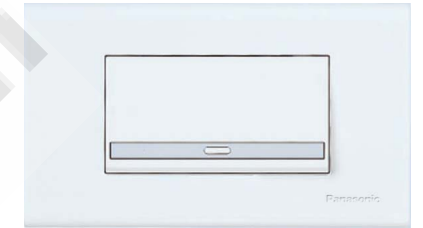
Sharp design fitting beautifully with residential atmosphere as well as business environment.



FULL-COLOR  
**WIDE** SERIES A-TYPE

## MAKES A STATEMENT IN STYLE

Modern and squared plate bringing a fresher taste to your interior with a wide range of items covering residential and commercial facility needs.



## TROUBLE-FREE SWITCHING MECHANISM

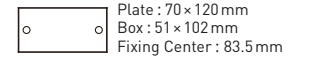
Advanced combination of high-conductivity heat-resistant copper, coil spring and outstanding resistant silver alloy contacts.



## HIGHLY RELIABLE SAFETY FEATURES

- European RoHS directive compliant, completely free from Cd, Hg, Cr6+, Pb, PBBs, PBDEs.
- Fire retardant material in use to prevent core components from burning.
- SASO Quality Marking compliant.





Switches

<p><b>WEGP515117</b> 1Way Switch, 16AX 250V with 1-Gang 3-Device Plate</p>	<p><b>WEGP515127</b> 2Way Switch, 16AX 250V with 1-Gang 3-Device Plate</p>	<p><b>WNG5001W-791</b> 1Way Switch, 15AX 250V <b>WZB7841W (Plate)</b> 1-Gang 1-Device</p> <p>Combination Model number <b>WNGP5110630F</b></p>	<p><b>WNG5002W-791</b> 2Way Switch, 15AX 250V <b>WZB7841W (Plate)</b> 1-Gang 1-Device</p> <p>Combination Model number <b>WNGP5210630F</b></p>	<p><b>WEG5534</b> Intermediate Switch, 4Way 16A 250V <b>WEG6801WK-P (Plate)</b> 1-Gang 1-Device</p> <p>Combination Model number <b>WEGP5513630F</b></p>	<p><b>WNG5004-7</b> Intermediate Switch, 4Way 10A 250V <b>WZB7841W (Plate)</b> 1-Gang 1-Device</p> <p>Combination Model number <b>WNGP5513630F</b></p>	<p><b>WEG5401-7-P</b> Push Button, 10AX 250V <b>WEG6801WK-P (Plate)</b> 1-Gang 1-Device</p> <p>Combination Model number <b>WEGP5113650F</b></p>	<p><b>WEG55337</b> 20A DP Switch with Indicator <b>WEG6801WK-P (Plate)</b> 1-Gang 1-Device</p> <p>Combination Model number <b>WEGP5414600F</b></p>
<p><b>WEGP525217</b> 1Way Switch, 16AX 250V with 1-Gang 3-Device Plate</p>	<p><b>WEGP525227</b> 2Way Switch, 16AX 250V with 1-Gang 3-Device Plate</p>	<p><b>WNG5001W-791 X 2</b> 1Way Switch, 15AX 250V <b>WZB7842WK (Plate)</b> 1-Gang 2-Device</p> <p>Combination Model number <b>WNGP5120630F</b></p>	<p><b>WNG5002W-791 X 2</b> 2Way Switch, 15AX 250V <b>WZB7842WK (Plate)</b> 1-Gang 2-Device</p> <p>Combination Model number <b>WNGP5220630F</b></p>	<p><b>WBG5414699W-SP</b> 20A DP Switch with Indicator <b>WZB7841W (Plate)</b> 1-Gang 1-Device</p> <p>Combination Model number <b>WNGP5414600F</b></p>	<p><b>WBG5414699W</b> 20A DP Switch with Indicator (A/C) <b>WZB7841W (Plate)</b> 1-Gang 1-Device</p> <p>Combination Model number <b>WNGP5414690F</b></p>	<p><b>WNG5343W-761</b> 20A DP Switch with Indicator (Water Heater) <b>WZB7841W (Plate)</b> 1-Gang 1-Device</p> <p>Combination Model number <b>WNGP5414630F</b></p>	<p><b>WBG5408699</b> 45A DP Switch with Indicator <b>WN3020W-P</b> Blank Plate <b>WZB7843W (Plate)</b> 1-Gang 3-Device</p> <p>Combination Model number <b>WNGP5438693F</b></p>

Socket Outlets

<p><b>WEGP535317</b> 1Way Switch, 16AX 250V with 1-Gang 3-Device Plate</p>	<p><b>WEGP535327</b> 2Way Switch, 16AX 250V with 1-Gang 3-Device Plate</p>	<p><b>WNG5001W-791 X 3</b> 1Way Switch, 15AX 250V <b>WZB7843WK (Plate)</b> 1-Gang 3-Device</p> <p>Combination Model number <b>WNGP5130630F</b></p>	<p><b>WNG5002W-791 X 3</b> 2Way Switch, 15AX 250V <b>WZB7843WK (Plate)</b> 1-Gang 3-Device</p> <p>Combination Model number <b>WNGP5230630F</b></p>	<p><b>WEG10817</b> Universal Socket with Shutter (Non SASO Standard) <b>WEG6801WK-P (Plate)</b> 1-Gang 1-Device</p> <p>Combination Model number <b>WEG11081F</b></p>	<p><b>WEG10817 X 2</b> Universal Socket with Shutter (Non SASO Standard) <b>WEG6802WK-P (Plate)</b> 1-Gang 2-Device</p> <p>Combination Model number <b>WEG12081F</b></p>	<p><b>WEG10817 X 3</b> Universal Socket with Shutter (Non SASO Standard) <b>WEG6803WK-P (Plate)</b> 1-Gang 3-Device</p> <p>Combination Model number <b>WEG13081F</b></p>	<p><b>WEG11817</b> Universal Grounding Socket <b>WEG68029WK-P (Plate)</b> 1-Gang Center 2-Device</p> <p>Combination Model number <b>WEG11362F</b></p>
--	--	--	--	--	--	--	---

H A R M O N Y  
BS-TYPE

FULL-COLOR WIDE SERIES  
Refine A-TYPE

FULL-COLOR WIDE SERIES  
A-TYPE

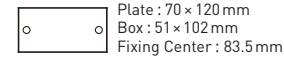
FULL-COLOR SERIES  
A-TYPE

H A R M O N Y  
BS-TYPE

FULL-COLOR WIDE SERIES  
Refine A-TYPE

FULL-COLOR WIDE SERIES  
A-TYPE

FULL-COLOR SERIES  
A-TYPE

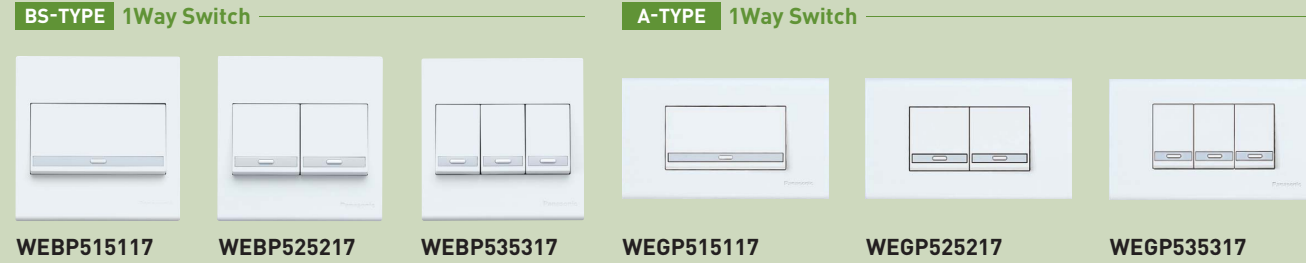


<p><b>WEG11517</b> 3Wire Grounding Socket with Shutter 15A 127V <b>WEG68029WK-P (Plate)</b> 1-Gang Center 2-Device</p> <p>Combination Model number <b>WEG11091F</b></p>	<p><b>WEG15527 X 2</b> 3Wire Grounding Socket with Shutter 15A 127V <b>WEG6803WK-P (Plate)</b> 1-Gang 3-Device</p> <p>Combination Model number <b>WEG12082F</b></p>	<p><b>WNG1101W-791</b> 3Wire Grounding Socket Outlet 15A 127V <b>WZB7841W (Plate)</b> 1-Gang 1-Device</p> <p>Combination Model number <b>WNGP1619600F</b></p>	<p><b>WNG1101W-791 X 2</b> 3Wire Grounding Socket Outlet 15A 127V <b>WZB7842W (Plate)</b> 1-Gang 2-Device</p> <p>Combination Model number <b>WNGP1629600F</b></p>	<p><b>WE2731-8</b> TV Socket F Type <b>WEG6801WK-P (Plate)</b> 1-Gang 1-Device</p> <p>Combination Model number <b>WEGP4719450F</b></p>	<p><b>WEG2364</b> Telephone Socket 6P4C <b>WE2731-8</b> TV Socket F Type <b>WEG6802WK-P (Plate)</b> 1-Gang 2-Device</p> <p>Combination Model number <b>WEGP45299471F</b></p>	<p><b>WE2731-8 X 2</b> TV Socket F Type <b>WEG6802WK-P (Plate)</b> 1-Gang 2-Device</p> <p>Combination Model number <b>WEGP4729450F</b></p>	<p><b>WEG2364</b> Telephone Socket 6P4C <b>WEG2501-P</b> TV Socket DIN Type <b>WEG6802WK-P (Plate)</b> 1-Gang 2-Device</p> <p>Combination Model number <b>WEGP4529942F</b></p>
<p><b>WEG11817</b> Universal Grounding Socket with Shutter 16AX 250V <b>WEG55317</b> 1Way Switch 16AX 250V <b>WEG6803WK-P (Plate)</b> 1-Gang 3-Device</p> <p>Combination Model number <b>WEG12703F</b></p>	<p><b>WEG11517</b> 3Wire Grounding Socket 15A 127V <b>WEG55317</b> 1Way Switch 16AX 250V <b>WEG6803WK-P (Plate)</b> 1-Gang 3-Device</p> <p>Combination Model number <b>WEG12092F</b></p>	<p><b>WZG1121W-7-P</b> 3Wire Grounding German Socket (Non SASO Standard) 16A 250V <b>WZ1817W-P (Plate)</b> 1-Gang 1-Device</p> <p>Combination Model number <b>WZB1121-7F</b></p>	<p><b>WEG2488-P</b> Cat 5E Outlet <b>WEG6801WK-P (Plate)</b> 1-Gang 1-Device</p> <p>Combination Model number <b>WEGP4519980F</b></p>	<p><b>WEG24886-P</b> Cat 6 Outlet <b>WEG6801WK-P (Plate)</b> 1-Gang 1-Device</p> <p>Combination Model number <b>WEGP4519680F</b></p>	<p><b>WEG24886-P X 2</b> Cat 6 Outlet <b>WEG6802WK-P (Plate)</b> 1-Gang 2-Device</p> <p>Combination Model number <b>WEGP4529680F</b></p>	<p><b>WEG2364</b> Telephone Socket 6P4C <b>WEG24886-P</b> Cat 6 Outlet <b>WEG6802WK-P (Plate)</b> 1-Gang 2-Device</p> <p>Combination Model number <b>WEGP4529649F</b></p>	
<p><b>Accessories</b></p>			<p><b>Dimmer Switches</b></p>				
<p><b>WEG2364</b> Telephone Socket 6P4C <b>WEG6801WK-P (Plate)</b> 1-Gang 1-Device</p> <p>Combination Model number <b>WEGP4519940F</b></p>	<p><b>WEG2364 X 2</b> Telephone Socket 6P4C <b>WEG6802WK-P (Plate)</b> 1-Gang 2-Device</p> <p>Combination Model number <b>WEGP4529940F</b></p>	<p><b>WEG2501-P</b> TV Socket DIN Type <b>WEG6801WK-P (Plate)</b> 1-Gang 1-Device</p> <p>Combination Model number <b>WEGP4719830F</b></p>	<p><b>WEG2501-P X 2</b> TV Socket DIN Type <b>WEG6802WK-P (Plate)</b> 1-Gang 2-Device</p> <p>Combination Model number <b>WEGP4729830F</b></p>	<p><b>WEG57515W</b> 220V 500W Dimmer <b>WEG6801WK-P (Plate)</b> 1-Gang 1-Device</p> <p>Combination Model number <b>WEGP5716350F</b></p>	<p><b>WEG57514</b> 127V 400W Dimmer <b>WEG68029WK-P (Plate)</b> 1-Gang Center 2-Device</p> <p>Combination Model number <b>WEGP5719140F</b></p>	<p><b>WEG578153</b> 500W Low Voltage Dimmer <b>WEG68029W-P (Plate)</b> 1-Gang Center 2-Device</p> <p>Combination Model number <b>WEGP5726350F</b></p>	<p><b>WEG575181</b> 220V 800W Dimmer <b>WEG68029WK-P (Plate)</b> 1-Gang Center 2-Device</p> <p>Combination Model number <b>WEGP5716380F</b></p>

FULL-COLOR WIDE SERIES BS-TYPE, A-TYPE  
 FULL-COLOR WIDE SERIES Refina BS-TYPE, A-TYPE



## Switches 16AX

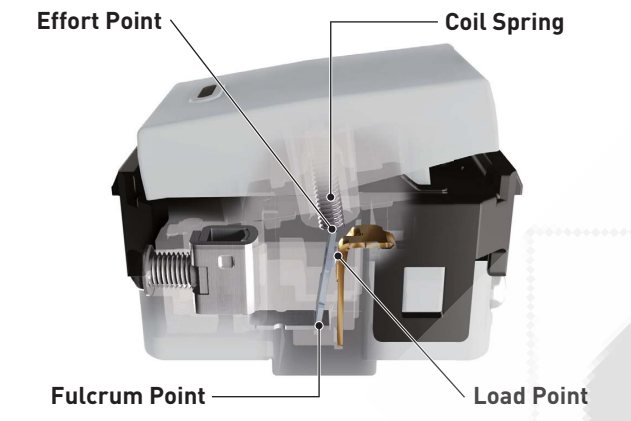


### Technical Specifications

- ▶ Standards  
Comply with IEC60669-1
- ▶ Rating  
16AX 250V~
- ▶ Ambient Temperature  
-10°C – +40°C
- ▶ Representative Performance
  - Electric strength : 2,000V 1 min
  - Operation test : 40,000 Operations
  - Temperature rise : Test current 20A (2.5 mm<sup>2</sup>)  
Not more than 45K (Terminals)
- ▶ Terminal  
Pillar Terminal II
- ▶ Applicable Wire  
1.5 mm<sup>2</sup> - 4 mm<sup>2</sup>  
15 AWG - 12 AWG
- ▶ Terminal Capacity
  - 1.5 mm<sup>2</sup> × 3
  - 2.5 mm<sup>2</sup> × 2
  - 4 mm<sup>2</sup> × 1

### Features

Improved contact reliability through our design using proprietary technology.



- #### Pillar Terminal
- Built-in pillar terminal accommodates any wire configuration.
  - 1 mm<sup>2</sup> - 4 mm<sup>2</sup>

#### Coil Spring Reversal Method

Panasonic's proprietary coil spring reversal method, causes the pressure applied on the connector to be stable, so that it does not become very hot. By keeping the bound small, the production of arc energy is minimised.

- Because the damage is small, the contacts do not fuse easily, making them long lasting.
- Our products have cleared the On/Off testing for 40,000 operations required by IEC.

#### Urea Resin

The use of urea resin which is safer and more secure has led to improved fire resistance. It also has excellent tracking resistance which prevents electric shocks.

- Even when the product is wrongly used, the casing does not fuse. As such, it is fire proof and shock proof.
- It is resistant to fire caused by tracking on the surface of the socket, and the material itself does not melt easily.
- Since the material is highly insulated so that electricity does not pass through it, it is shock proof.

### Features

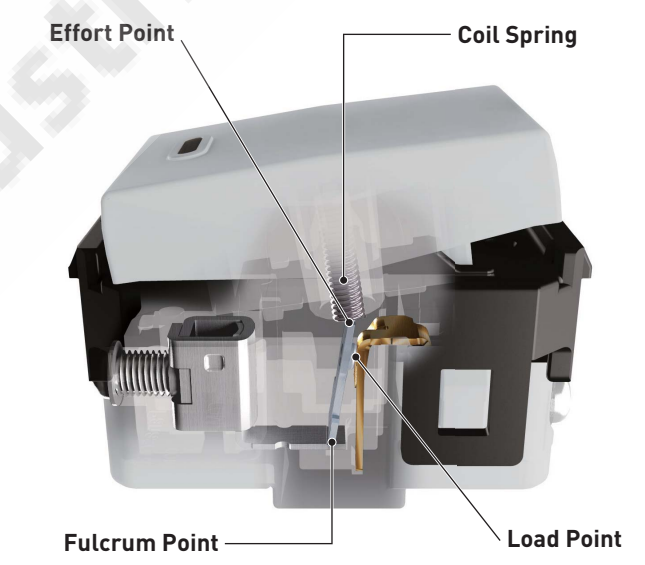
#### Urea Resin

- #### Characteristics of Urea Resin
- Excellent arc resistance, arc tracking resistance, flame retardance, heat resistance, color fastness.
  - Has good electrical performance and mechanical strength with excellent abrasion resistance.
  - Difficult to scratch, and there is virtually no adherence of dust due to static electricity.
  - Organic solvents and oily substances cannot permeate.

Enclosure Material Characteristics (reference)

	Urea	PBT	Polycarbonate
Tracking Performance	Excellent	Good	Poor
Heat Deformation	Good	Good	Fair
Self-Extinguishment	Good	Good	Good

#### Coil Spring Reversal Method



#### Bounce Performance Comparison

The Full-Color Series has a coil spring system to reduce arc energy generation, making it ideal for compact fluorescent lighting (CFL), inverter illumination and LED lighting.

##### Coil Spring System

Minimal contact bounce time with switch "ON" reduces arc energy being generated.

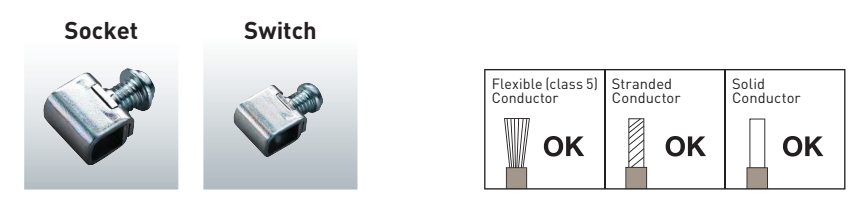
Contact deposition almost never occurs, so contact damage is minimal.

##### Seesaw Type of Switching System

Long contact bounce time results in more arc energy generation.

Contact deposition occurs easily and causes faster wear.

#### Terminal

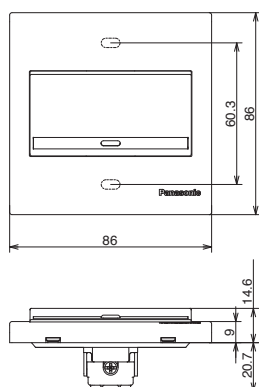


Flexible wire (class 5) also applicable

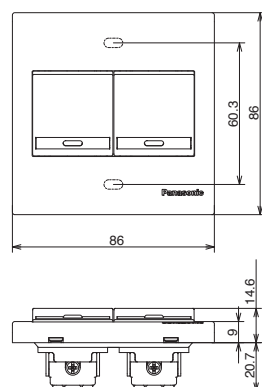
Rigid ( Solid or Stranded ) & Flexible (only class 5) Copper Conductor Type

Dimensions

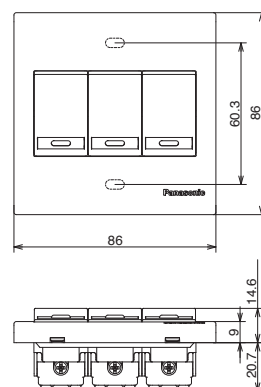
BS-TYPE 1Way Switch



WEBP515117



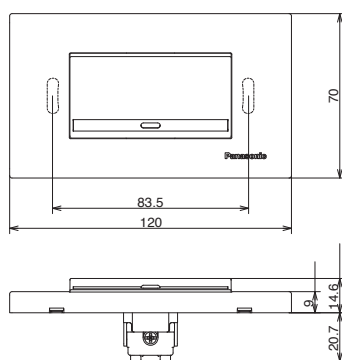
WEBP525217



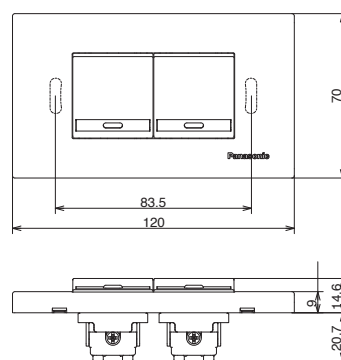
WEBP535317

\*BS-TYPE : with screws for insert.

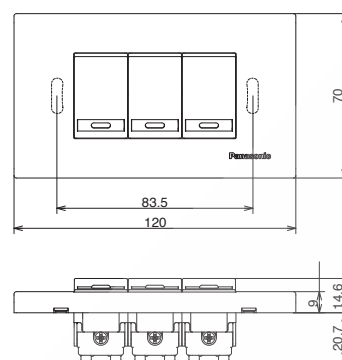
A-TYPE 1Way Switch



WEGP515117



WEGP525217



WEGP535317

Applicable Box

BS-TYPE



► Dimensions  
 Plate : 86 x 86 mm  
 Box : 72 x 72 mm  
 Fixing Center : 60.3 mm



► Dimensions  
 Plate : 86 x 146 mm  
 Box : 72 x 132 mm  
 Fixing Center : 120.6 mm

A-TYPE



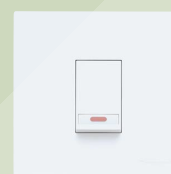
► Dimensions  
 Plate : 70 x 120 mm  
 Box : 51 x 102 mm  
 Fixing Center : 83.5 mm

FULL-COLOR WIDE SERIES BS-TYPE, A-TYPE  
 FULL-COLOR WIDE SERIES Refina BS-TYPE, A-TYPE



Switches 20A

BS-TYPE DP Switch with Indicator



WEG55337  
 WEB7811W  
 WEBP5410600F

A-TYPE DP Switch with Indicator



WEG55337  
 WEG6801WK-P  
 WEGP5414600F

Technical Specifications

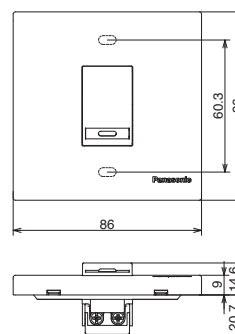
- Standards  
Comply with IEC60669-1
- Rating  
20A 250V~
- Ambient Temperature  
-10°C ~ +40°C
- Representative Performance
  - Electric strength : 2,000V 1 min
  - Operation test : 10,000 Operations
  - Temperature rise : Test current 25A (4 mm<sup>2</sup>)  
Not more than 45K (Terminals)
- Terminal  
Pillar Terminal II
- Applicable Wire  
2.5 mm<sup>2</sup> - 6 mm<sup>2</sup>  
13 AWG - 10 AWG
- Terminal Capacity
  - 2.5 mm<sup>2</sup> × 2
  - 4 mm<sup>2</sup> × 1
  - 6 mm<sup>2</sup> × 1

Features

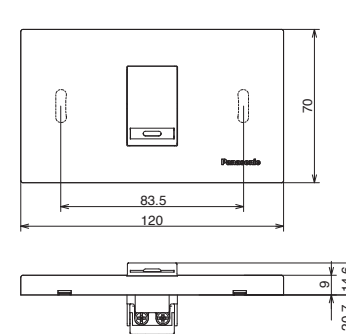
- Switching mechanism uses a coil spring system for a longer service life.
- Made with flame-retardant and heat-resistant urea resin.
- Conductive section uses heat-resistant copper with superior anticorrosion property and conductivity for long-term stable, reliable performance.
- Accepts wires : 2.5 mm<sup>2</sup> - 6 mm<sup>2</sup> solid wire to flexible wire (class 5).

Dimensions

BS-TYPE DP Switch with Indicator



A-TYPE DP Switch with Indicator



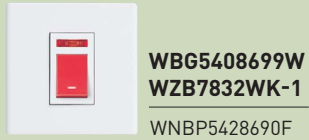
\*BS-TYPE : M3.5 mounting screws included.

FULL-COLOR WIDE SERIES BS-TYPE, A-TYPE  
 FULL-COLOR WIDE SERIES Refina BS-TYPE, A-TYPE

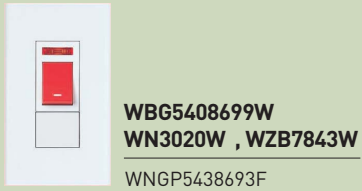


## Switches 45A

BS-TYPE DP Switch with Indicator



A-TYPE DP Switch with Indicator



FULL-COLOR WIDE SERIES BS-TYPE, A-TYPE  
 FULL-COLOR WIDE SERIES Refina BS-TYPE, A-TYPE



## Dimmer Switches

BS-TYPE 1000W



500W



A-TYPE 400W



### Technical Specifications

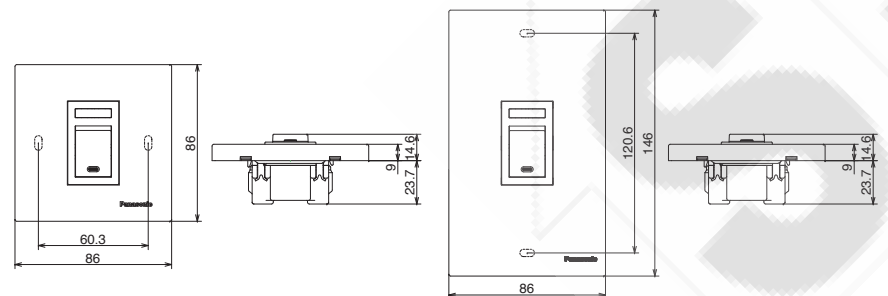
- ▶ Standards  
Comply with BS3676:1989
- ▶ Rating  
45A 250V~ (for a resistive circuit)  
25A 250V~ (for a motor-load circuit)
- ▶ Ambient Temperature  
-10°C – +40°C
- ▶ Representative Performance  
·Electric strength : 1,500V 1 min  
·Operation test : 10,000 Operations  
·Temperature rise : Test current 51A (10 mm<sup>2</sup>)  
Not more than 45K (Terminals)
- ▶ Terminal  
Screw Terminal
- ▶ Applicable Wire  
4 mm<sup>2</sup> - 10 mm<sup>2</sup> Stranded wire  
4 mm<sup>2</sup> - 6 mm<sup>2</sup> Solid wire
- ▶ Terminal Capacity  
4 mm<sup>2</sup> × 1  
6 mm<sup>2</sup> × 1  
10 mm<sup>2</sup> × 1

### Features

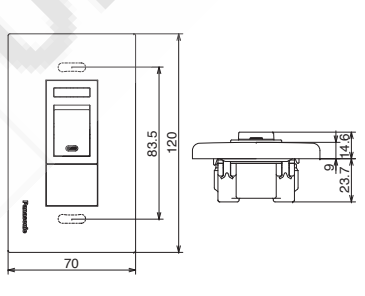
- High-capacity silver contact for longer life.
- Made with flame-retardant and heat-resistant melamine phenol/urea resins.
- Conductive section uses heat-resistant copper with superior anticorrosion property and conductivity for long-term stable, reliable performance.
- Accepts wires : 4 mm<sup>2</sup> - 10 mm<sup>2</sup> solid wire and flexible wire.
- Built-in lighted indicator shows On/Off status.
- Normal gap double-pole switch (minimum contact gap : 3 mm) construction ensures safe load shut-off.

### Dimensions

BS-TYPE DP Switch with Indicator



A-TYPE DP Switch with Indicator



\*BS-TYPE : M3.5 mounting screws included.

### Technical Specifications

- WEG5781103**
- ▶ Rating  
220V-240V~ 50/60Hz 1000W
  - ▶ Ambient Temperature  
0°C – +35°C
  - ▶ Terminal  
Pillar Terminal
  - ▶ Applicable Wire  
1 mm<sup>2</sup> - 4 mm<sup>2</sup>
- WEG578153**
- ▶ Rating  
220V-240V~ 50/60Hz 500W
  - ▶ Ambient Temperature  
0°C – +35°C
  - ▶ Terminal  
Screw Terminal
  - ▶ Applicable Wire  
1 mm<sup>2</sup> - 2.5 mm<sup>2</sup>

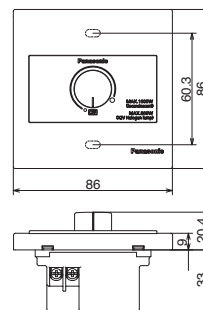
### Features

- WEG5781103**
- New pillar terminal accommodates 1 mm<sup>2</sup> - 4 mm<sup>2</sup> solid wire to stranded wire.
  - Compatible with 800VA copper/steel and step-down transformers.  
(applicable for low-voltage halogen lamp use)
  - Applicable for 1000W incandescent lamp.
- WEG578153**
- Applicable Wires : 1 mm<sup>2</sup> - 2.5 mm<sup>2</sup>
  - Compatible with 500VA copper/steel and step-down transformers.
  - Applicable for low-voltage halogen lamp use.
  - Applicable for 500W incandescent lamp.

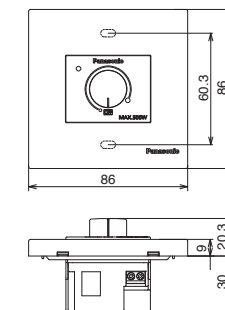
\*Those products can't operate ventilating / ceiling fan.

### Dimensions

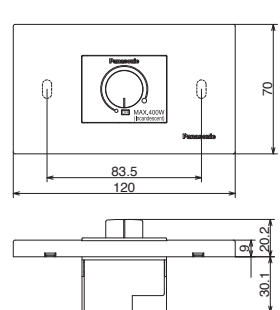
BS-TYPE 1000W



500W



A-TYPE 400W



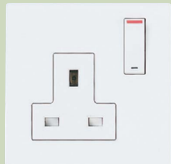
\*BS-TYPE : M3.5 mounting screws included.

FULL-COLOR WIDE SERIES BS-TYPE  
 FULL-COLOR WIDE SERIES Refina BS-TYPE

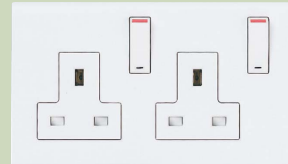


## Socket Outlets

BS-TYPE Switched Socket



WEB1111WK



WEB1112WK

FULL-COLOR WIDE SERIES BS-TYPE, A-TYPE  
 FULL-COLOR WIDE SERIES Refina BS-TYPE, A-TYPE



## Accessories - Television

BS-TYPE DIN Type



WEG2501-P  
 WEB7811W  
 WEBP4719830F



WEG2501-P  
 WEB7812W  
 WEBP4729830F

A-TYPE DIN Type



WEG2501-P  
 WEG6801WK-P  
 WEGP4719830F

### Technical Specifications

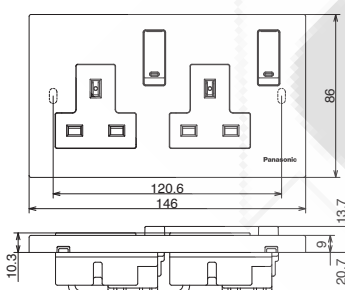
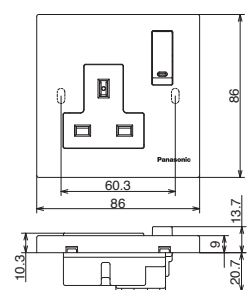
- ▶ Standards  
Comply with BS1363-2
- ▶ Rating  
13A 250V~
- ▶ Ambient Temperature  
-10°C – +40°C
- ▶ Representative Performance
  - Electric strength : 2,000V 1 min
  - Operation test : 15,000 times (30,000 movements)
  - Temperature rise : Test current 20A (2.5 mm<sup>2</sup>)  
Not more than 52K (Terminals)
- ▶ Terminal  
Pillar Terminal II
- ▶ Applicable Wire  
1.5 mm<sup>2</sup> - 4 mm<sup>2</sup>  
15 AWG - 12 AWG
- ▶ Terminal Capacity
  - 1.5 mm<sup>2</sup> × 3
  - 2.5 mm<sup>2</sup> × 3
  - 4 mm<sup>2</sup> × 2

### Features

- Socket Outlet with a double-pole switch completely isolates load from power supply.
- Socket Outlet housing uses flame-retardant and heat-resistant urea resin with high anti-tracking properties.
- Accepts wires : 1.5 mm<sup>2</sup> - 4 mm<sup>2</sup> solid wire to flexible wire.
- Both socket and switch parts made for enough switching capability.
- Included safety shutter prevents kids from tampering with switch.

### Dimensions

BS-TYPE Switched Socket



### Applicable Box

BS-TYPE

#### Dimensions

Plate : 86 x 86 mm  
 Box : 72 x 72 mm  
 Fixing Center : 60.3 mm

#### Dimensions

Plate : 86 x 146 mm  
 Box : 72 x 132 mm  
 Fixing Center : 120.6 mm

\*BS-TYPE : M3.5 mounting screws included.

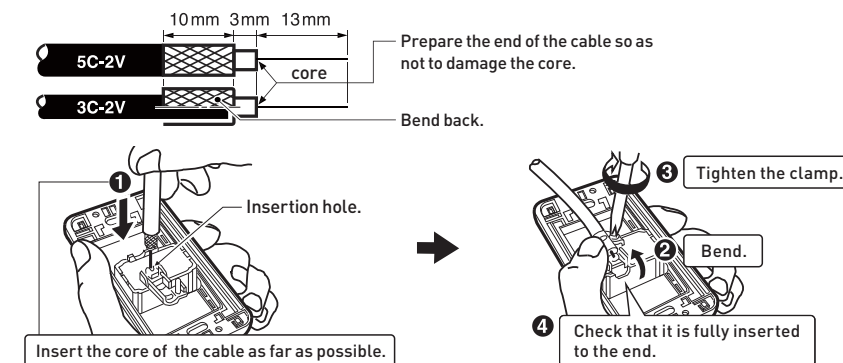
### Technical Specifications

- ▶ Connector Type (Outlet) : DIN Type
- ▶ Terminal  
Screw Terminal (Only coaxial core isn't screw terminal type)
- ▶ Impedance Input, Outlet : 75Ω
- ▶ Applicable Cable  
Coaxial cable Characteristic Impedance 75Ω type : 5C - 2V, 3C - 2V

### Features

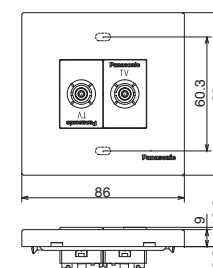
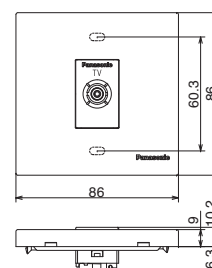
“Easy Connect” terminal for direct insertion of coaxial cable core.

Insert fully and tighten clamp.

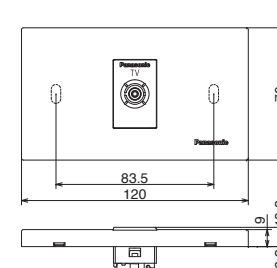


### Dimensions

BS-TYPE DIN Type



A-TYPE DIN Type



\*BS-TYPE : M3.5 mounting screws included.

FULL-COLOR WIDE SERIES BS-TYPE, A-TYPE  
 FULL-COLOR WIDE SERIES Refina BS-TYPE, A-TYPE



## Accessories - Telephone

<b>BS-TYPE 6P4C</b>  <b>WEG2364 WEB7811W</b> WEBP4519940F <b>WEG2364 WEB7812W</b> WEBP4529940F		<b>A-TYPE 6P4C</b>  <b>WEG2364 WEG6801WK-P</b> WEGP4519940F <b>WEG2364 WEG6802WK-P</b> WEGP4529940F	
--	--	--	--

FULL-COLOR WIDE SERIES BS-TYPE, A-TYPE  
 FULL-COLOR WIDE SERIES Refina BS-TYPE, A-TYPE



## Accessories - LAN

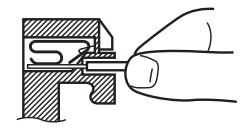
<b>BS-TYPE Category 5e, Category 6</b>  <b>WEG2488-P WEB7811W</b> WEBP4519980F <b>WEG24886-P WEB7811W</b> WEBP4519680F		<b>A-TYPE Category 5e Category 6</b>  <b>WEG2488-P WEG6801WK-P</b> WEGP4519980F <b>WEG24886-P WEG6801WK-P</b> WEGP4519680F		 <b>WEG24886-P WEG6802WK-P</b> WEGP4529680F
--	--	--	--	--

### Technical Specifications

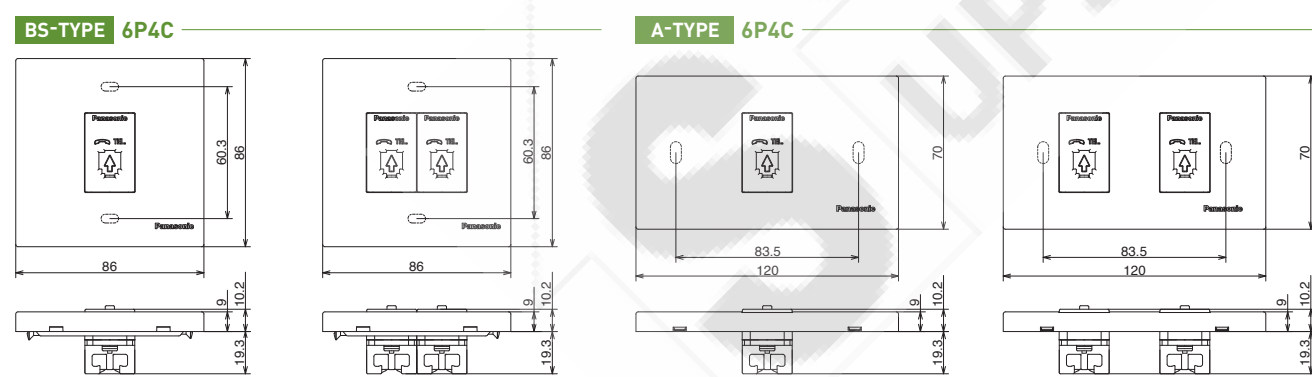
- ▶ Connector Type  
Miniature Modular Jack, 6 position with 4-contacts, specified in TIA-1096-A (Previously in FCC part 68)
- ▶ Terminal  
Quick Connect Terminal (Screwless Connection)
- ▶ Applicable Wire  
Paired quad-type PVC indoor cable : Core wire to be 0.4 mm, 0.5 mm, 0.65 mm, in diameter (solid copper only)  
2-pair Business-phone indoor cable : Core wire to be 0.4 mm, 0.5 mm, 0.65 mm, in diameter (solid copper only)

### Features

- Quick Connect Terminal increases connection reliability.
- Quick Connect Terminal for easy connection.
- Simple Connection  
Just insert cable into the terminal hole.
- Easy Cable Disconnection  
Push removal button while pulling out cable.



### Dimensions



\*BS-TYPE : M3.5 mounting screws included.

### Technical Specifications

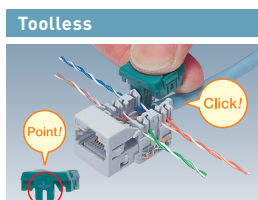
- ▶ Connector Type  
"8-way unshielded fixed connector (miniature 8-position modular jack)" specified in IEC 60603-7
- ▶ Terminal  
IDC connection
- ▶ Applicable Cable  
WEG2488 : 4-pair UTP cable, Category 5e  
Conductor : solid copper wire, 22 AWG - 24 AWG (diameter : 0.5 mm-0.65 mm) or stranded copper wire, 24 AWG  
WEG24886 : 4-pair UTP cable, Category 6  
Conductor : solid copper wire, 22 AWG - 24 AWG (diameter : 0.5 mm-0.65 mm)

### Features

**1 It's not necessary to use special wiring tool.**

**2 No need to untwist the wires.**

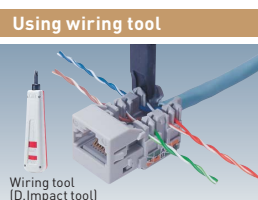
**Toolless**



Point! Click!

Cut the excess wires with nippers after connection

**Using wiring tool**



Wiring tool (D.Impact tool)

Excess wires can be cut with the blade edge of the tool

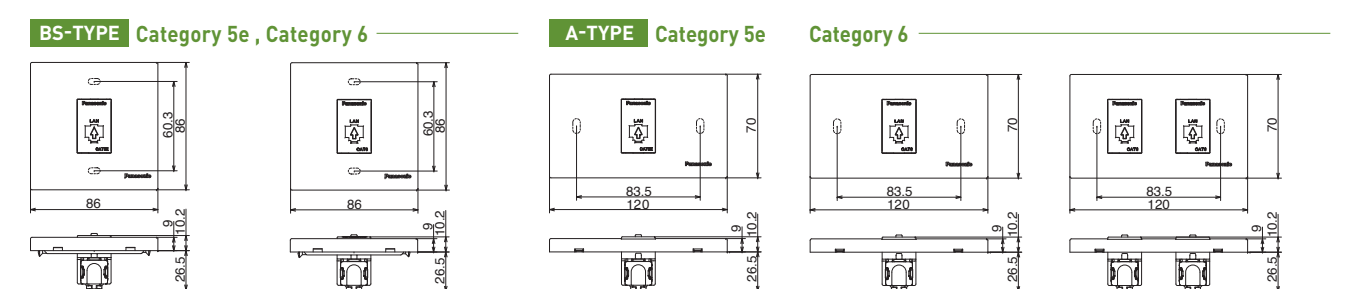
Projection between the slots

No need to untwist the wires to setting on the slots. Minimum untwisting retains uniform installation quality and transmission performance.

**Pin/Pair assignment**

Pair	Color	Pin No.	
		T568A	T568B
1	W/BL	5	5
	BL	4	4
2	W/O	3	1
	O	6	2
3	W/G	1	3
	G	2	6
4	W/BR	7	7
	BR	8	8

### Dimensions



\*BS-TYPE : M3.5 mounting screws included.



FULL-COLOR WIDE SERIES BS-TYPE, A-TYPE  
 FULL-COLOR WIDE SERIES Refina BS-TYPE, A-TYPE



## Others

### 4G Switch



WNB5140630

#### Technical Specifications

- |   |  |
|---|--|
| <ul style="list-style-type: none"> <li>▶ Standards<br/>Comply with IEC60669-1</li> <li>▶ Rating<br/>15AX 250V~</li> <li>▶ Ambient Temperature<br/>-10°C – +40°C</li> <li>▶ Representative Performance                             <ul style="list-style-type: none"> <li>·Electric strength<br/>: 2,000V 1 min</li> <li>·Operation test<br/>: 40,000 Operations</li> <li>·Temperature rise<br/>: Test current 20A (2.5 mm<sup>2</sup>)<br/>Not more than 45K (Terminals)</li> </ul> </li> </ul> | <ul style="list-style-type: none"> <li>▶ Terminal<br/>Screw Terminal</li> <li>▶ Applicable Wire<br/>1.5 mm<sup>2</sup> - 3.5 mm<sup>2</sup></li> <li>▶ Terminal Capacity<br/>14 AWG - 12 AWG</li> <li>▶ Terminal Capacity<br/>1.5 mm<sup>2</sup> × 1<br/>3.5 mm<sup>2</sup> × 1<br/>14 AWG × 1<br/>12 AWG × 1</li> </ul> <p>*Supply terminal has 2 terminal holes.</p> |
|---|--|

### Push Button



WEB5113650F

#### Technical Specifications

- |   |  |
|---|--|
| <ul style="list-style-type: none"> <li>▶ Standards<br/>Comply with IEC60669-1</li> <li>▶ Rating<br/>10AX 250V~</li> <li>▶ Ambient Temperature<br/>-10°C – +40°C</li> <li>▶ Representative Performance                             <ul style="list-style-type: none"> <li>·Electric strength<br/>: 2,000V 1 min</li> <li>·Operation test<br/>: 40,000 Operations</li> <li>·Temperature rise<br/>: Test current 13.5A (2.5 mm<sup>2</sup>)<br/>Not more than 45K (Terminals)</li> </ul> </li> </ul> | <ul style="list-style-type: none"> <li>▶ Terminal<br/>Screw Terminal</li> <li>▶ Applicable Wire<br/>1 mm<sup>2</sup> - 2.5 mm<sup>2</sup></li> <li>▶ Terminal Capacity<br/>1 mm<sup>2</sup> × 1<br/>1.5 mm<sup>2</sup> × 1<br/>2.5 mm<sup>2</sup> × 1</li> </ul> <p>*Supply terminal has 2 terminal holes.</p> |
|---|--|

### TV Socket F Type



WEB47194501F

#### Technical Specifications

- ▶ Connector Type (Outlet) : F type
- ▶ Terminal  
Screw Terminal  
(Only coaxial core isn't screw terminal type)
- ▶ Impedance Input, Outlet : 75Ω
- ▶ Applicable Cable  
Coaxial Cable  
Characteristic Impedance 75Ω type : S-5C-FB

### Universal Socket



WEB1914610F

#### Technical Specifications

- |   |   |
|---|---|
| <ul style="list-style-type: none"> <li>▶ Standards<br/>Comply with IEC60884-1</li> <li>▶ Rating<br/>16A 250V~</li> <li>▶ Ambient Temperature<br/>-10°C – +40°C</li> <li>▶ Representative Performance                             <ul style="list-style-type: none"> <li>·Electric strength<br/>: 2,000V 1 min</li> <li>·Operation test<br/>: 5,000 times (10,000 movements)</li> <li>·Temperature rise<br/>: Test current 22A (2.5 mm<sup>2</sup>)<br/>Not more than 45K (Terminals)</li> </ul> </li> </ul> | <ul style="list-style-type: none"> <li>▶ Terminal<br/>Screw Terminal</li> <li>▶ Applicable Wire<br/>1.5 mm<sup>2</sup> - 4 mm<sup>2</sup></li> <li>▶ Terminal Capacity<br/>15 AWG - 12 AWG</li> <li>▶ Terminal Capacity<br/>1.5 mm<sup>2</sup> × 3<br/>2.5 mm<sup>2</sup> × 3<br/>4 mm<sup>2</sup> × 2</li> </ul> |
|---|---|

### 15A 3Pin Socket



WEB1131W

#### Technical Specifications

- |   |  |
|---|--|
| <ul style="list-style-type: none"> <li>▶ Standards<br/>Comply with BS546</li> <li>▶ Rating<br/>15A 250V~</li> <li>▶ Ambient Temperature<br/>-10°C – +40°C</li> <li>▶ Representative Performance                             <ul style="list-style-type: none"> <li>·Electric strength<br/>: 1,500V 1 min</li> <li>·Operation test<br/>: 15,000 times (30,000 movements)</li> <li>·Temperature rise<br/>: Test current 15A (2.5 mm<sup>2</sup>)<br/>Not more than 35K (Terminals)</li> </ul> </li> </ul> | <ul style="list-style-type: none"> <li>▶ Terminal<br/>Screw Terminal</li> <li>▶ Applicable Wire<br/>2.5 mm<sup>2</sup> - 4 mm<sup>2</sup></li> <li>▶ Terminal Capacity<br/>1.5 mm<sup>2</sup> × 3<br/>2.5 mm<sup>2</sup> × 3<br/>4 mm<sup>2</sup> × 2</li> </ul> |
|---|--|

### American Socket



WEB1619610F

#### Technical Specifications

- |   |   |
|---|---|
| <ul style="list-style-type: none"> <li>▶ Standards<br/>Comply with SASO 2204(2003)</li> <li>▶ Rating<br/>15A 127V~</li> <li>▶ Ambient Temperature<br/>-10°C – +40°C</li> <li>▶ Representative Performance                             <ul style="list-style-type: none"> <li>·Electric strength<br/>: 2,000V 1 min</li> <li>·Operation test<br/>: 15,000 times (30,000 movements)</li> <li>·Temperature rise<br/>: Test current 15A (2.5 mm<sup>2</sup>)<br/>Not more than 35K (Terminals)</li> </ul> </li> </ul> | <ul style="list-style-type: none"> <li>▶ Terminal<br/>Screw Terminal</li> <li>▶ Applicable Wire<br/>1.5 mm<sup>2</sup> - 4 mm<sup>2</sup></li> <li>▶ Terminal Capacity<br/>15 AWG - 12 AWG</li> <li>▶ Terminal Capacity<br/>1.5 mm<sup>2</sup> × 3<br/>2.5 mm<sup>2</sup> × 3<br/>4 mm<sup>2</sup> × 2</li> </ul> |
|---|---|