

# 1E GUB Junction Boxes For IEC Applications

Ex d IIC T4-T6, Ex ia for Zone 1, 2, 21, 22  
NEMA 4 / IP67  
IECEX

ATEX  
GOST-R  
GOST-K

## Applications:

GUB IEC ATEX Junction Boxes are used in threaded rigid conduit systems in hazardous areas:

- To function as a splice box, pull box, or equipment and device enclosure
- Indoors and outdoors

## Features:

- Threaded construction throughout permits use in hazardous areas
- Bodies have thick walls so they can be factory drilled and tapped to meet IEC requirements for Zone 1, 2, 21, and 22 hazardous areas
- Covers are provided with a neoprene "O" ring gasket to meet NEMA 4 / IP66 requirements for a watertight seal
- Internal grounding lug provides a means to ground enclosed equipment
- Ambient temperature range: -20 to +55°C
- Rated voltage: 690V
- Rated max. current: 250A / in bus-bars 150A-10kA

## Certifications & Compliances:

### ATEX Certificate: LOM 03ATEX3107U (Empty Enclosures)

- II 2GD Ex d IIC
- Ex tD A21 IP67
- EN60079-0:2006
- EN60079-1:2007
- EN60079-11:2007

### ATEX Certificate: LOM 04ATEX2018 (Custom Control Panels)

- II 2 GD EEx d IIC T4...T6 IP67  
T(\*) °C Ta: -20°C / +55°C
- EN60079-0:2006
- EN60079-1:2007
- EN60079-11:2007

## Metallic Enclosures\*

### Marking to 94/9/CE

- II 2 G - EEx d IIC T6 - T4†
- II 2 D - IP67 T‡

### EC - Type Examination Certificate

- LOM 03 ATEX 3107U

### Degree of Protection

- acc. EN60529

### Rated Voltage

- 690V

### Max. Rated Current

- 250A / in bus-bars 150A - 10kA

### Material

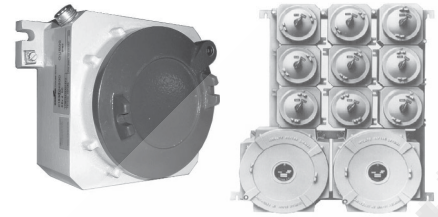
- Light alloy, grey coating

## Standard Materials:

- Bodies - aluminum
- Covers - aluminum

## Standard Finish:

- Epoxy powder coat finish is standard inside and outside



GUB 00

Custom Control Panel

## Options:

### Description

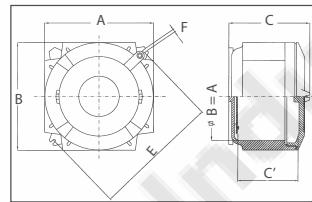
- Factory installed mounting plate for relays, terminal blocks, electrical devices, etc.
- Factory installed pushbuttons, signal lamps, switchgear, glass windows
- Factory installed terminal blocks

### Suffix

- Available upon request (please contact factory)
- Available upon request (please contact factory)
- Available upon request (please contact factory)

## Ordering Information:

Type	Dissipated Power			Rated Current	Cat. No.	Kg	Quantity
	T6	T5	T4	Max.			
GUB 00	60	85	150W	60A	NOR 000 001 160 116	3.20	1
GUB 20	100	145	255W	150A	NOR 000 001 160 124	6.20	1
GUB 30	140	200	360W	250A	NOR 000 001 160 132	10.20	1



## Dimensions

### In Millimeters:

Type	External			Internal			Mounting	
	A	B	C	A'	B'	C'	E	F
GUB 00	170	170	135	125	125	74	210	9
GUB 20	215	215	195	175	175	139	250	11

## Max. Entries per Face

Type	1/2"	3/4"	1"	1 1/4"	1 1/2"	2"	2 1/2"
GUB 00	4	3	2	2	2	-	-
GUB 20	6	5	3	2	2	1	1
GUB 30	10	8	5	3	3	2	2

\*These enclosures can provide according to LOM 04 ATEX 2018 certification with the following electrical apparatus: Bus-bars, terminals, low voltage transformers, air circuit breakers, automatic circuit breakers, control and operations circuits, servomotors without ventilation, starters and ballasts for discharge lamps, electronic apparatus, associated SI apparatus, etc., according to customer needs.

†According to the mounted equipment.

‡Available upon request.

**Applications:**

GUBA series junction boxes are used in threaded rigid conduit and cable systems in hazardous areas:

- To function as a splice box, pull box, or equipment device enclosure
- Indoors and outdoors

**Features:**

- Threaded construction throughout permits use in hazardous areas
- Wide variety of conduit entry arrangements
- Covers are sealed with "O" ring gasket



**Certifications & Compliances:**

**Type of Protection**

- Exd

**Degree of Protection**

- IP66

**Gas Group**

- IIC

**Approvals**

- ANZEx05.3043X

**Standard Materials:**

- Body and cover - cast copper-free aluminum

**Standard Finish:**

- Natural

**Options:**

- Cast iron bodies and covers
- Grey polyurethane finish
- Metric, imperial, NPT, or BSP threads
- Glass window
- Dome covers

**Maximum Number of Entries:**

Metric	20mm	25mm	32mm	40mm	50mm
Imp. Conduit	3/4"	1"	1 1/4"	1 1/2"	2"
NPT & BSP	1/2"	3/4"	1"	1 1/4"	1 1/2"

**Catalog No.**

Top & Bottom					
GUBA01	6	5	3	2	1
GUBA02	10	8	4	3	2
<b>Sides</b>					
GUBA01	6	5	-	-	-
GUBA02	8	7	4	3	2
<b>Back</b>					
GUBA01	3	3	-	-	-
GUBA02	4	4	-	-	-

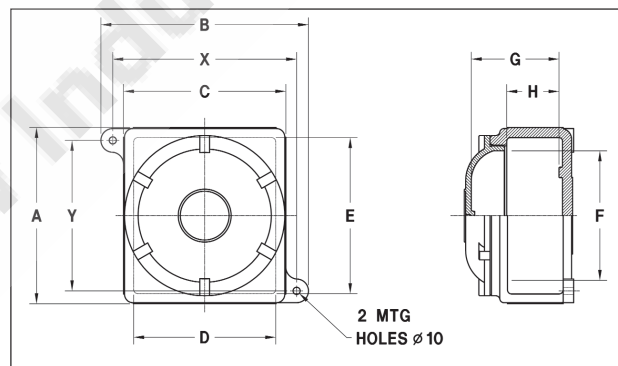
**Ordering Information:**

Type and Description	Cat. #
Empty enclosure 195mm x 2175mm x 107mm	GUBA01
Flat cover for GUBA01	GUBA0101
Glass window for GUBA01 (gas group IIB only)	GUBA0110
Empty enclosure 253mm x 283mm x 135mm	GUBA02

Note: Entries must be factory drilled, price adder applicable.

**Dimensions**

**In Millimeters:**



**Dimensional Data:**

Cat. #	Internal Dimensions				Weight			
	A	B	C	D	E	F	G	H
GUBA01	195	220	175	146	146	130	107	76
GUBA02	253	298	233	204	224	185	135	76
Cat. #	Mounting Dimensions		No. of Mounting Feet	Weight kg				
	X	Y						
GUBA01	195	145	2	4.2				
GUBA02	264	216	2	8.1				